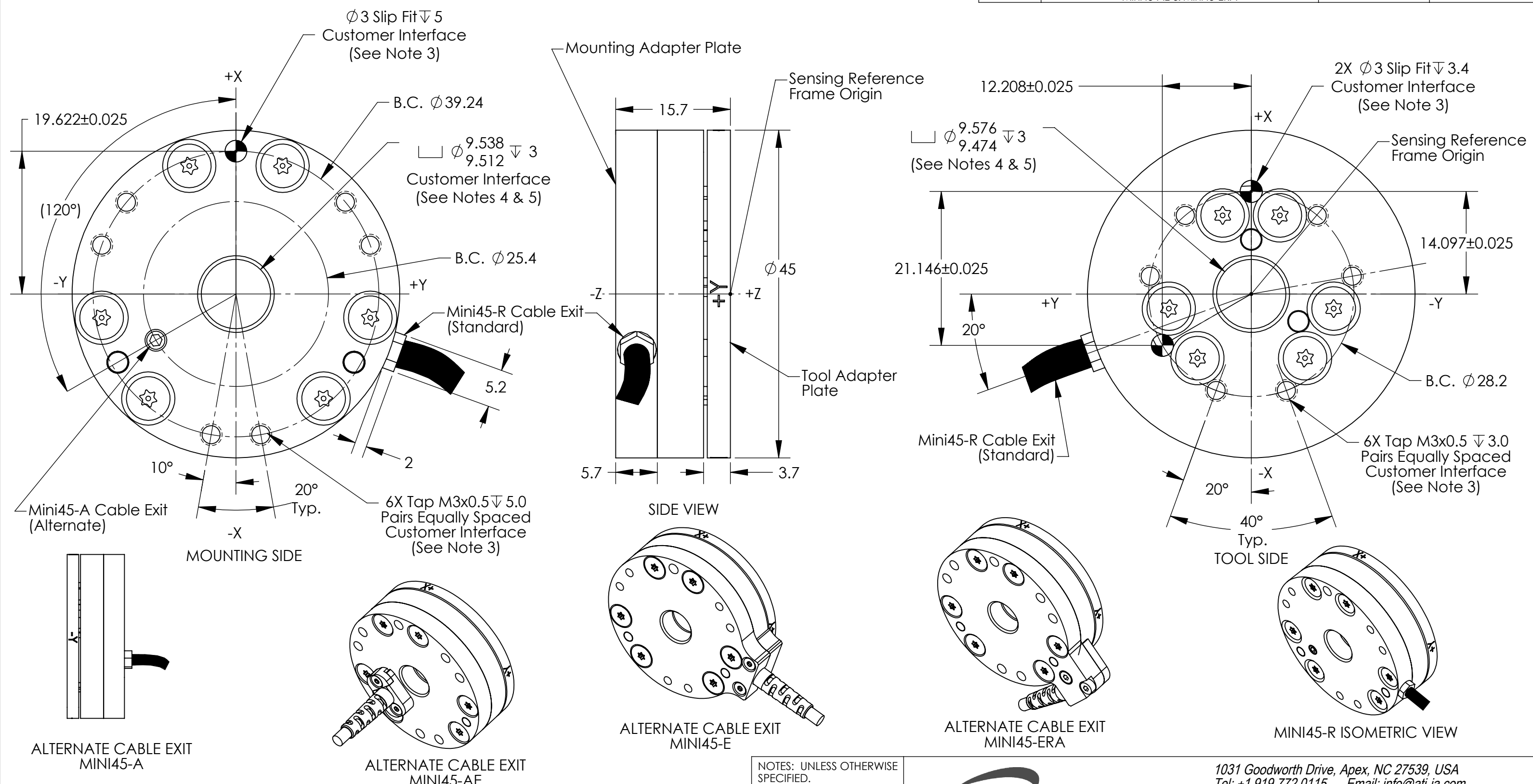


Rev.	Description	Initiator	Date
20	ECO 10071; Add alternate cable exit views for Mini45-AE & Mini45-ERA	MSD	9/6/2012



- Notes:
1. Mounting and Tool Adapter made of either Aluminum or Stainless Steel (customer specified). Transducer made of hardened Stainless Steel.
 2. **WARNING: DO NOT LOOSEN OR REMOVE INTERFACE PLATES OR CABLE FITTING DUE TO POTENTIAL DAMAGE.**
 3. **DO NOT EXCEED INTERFACE DEPTH, MAY CAUSE DAMAGE.**
 4. Thru hole is 9.4mm. Specified tolerances are for mating to a boss.
 5. Do not allow items passing through center hole to touch both the Mounting and Tool Adapter Plates or accuracy will be compromised.
 6. Connector (not shown) has 17mm diameter and is 67.5mm long.

NOTES: UNLESS OTHERWISE SPECIFIED.
DO NOT SCALE DRAWING. ALL DIMENSIONS ARE IN MILLIMETERS.

3rd ANGLE PROJECTION



1031 Goodworth Drive, Apex, NC 27539, USA
Tel: +1.919.772.0115 Email: info@ati-ia.com
Fax: +1.919.772.8259 www.ati-ia.com
ISO 9001 Registered Company

PROPERTY OF ATI INDUSTRIAL AUTOMATION, INC. NOT TO BE REPRODUCED IN ANY MANNER EXCEPT ON ORDER OR WITH PRIOR WRITTEN AUTHORIZATION OF ATI.

DRAWN BY: B. Digeso		TITLE: Mini45 Transducer	
CHECKED BY: D.Norton 2/26/06		SCALE: 2:1	REVISION: 20
PROJECT #	SHEET 1 OF 1	SIZE: B	DRAWING NUMBER: 9230-05-1094