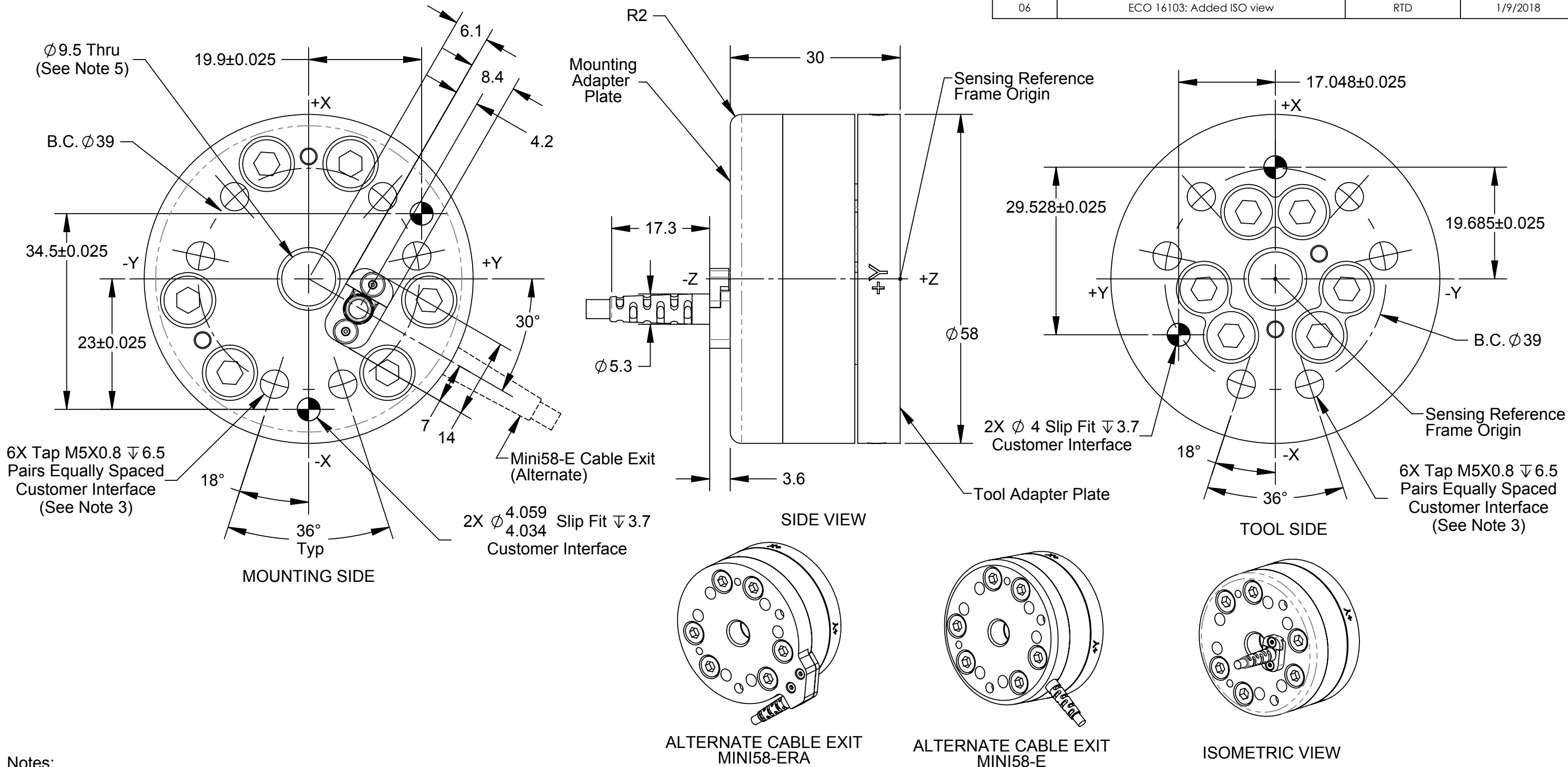


Rev.	Description	Initiator	Date
05	Eco 11916: Update material note.	LCS	3/17/2014
06	ECO 16103: Added ISO view	RTD	1/9/2018



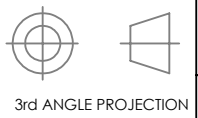
- Notes:
1. Material: Hardened Stainless Steel and Aluminum.
  2. **WARNING: DO NOT LOOSEN OR REMOVE INTERFACE PLATES OR CABLE DUE TO POTENTIAL DAMAGE.**
  3. **DO NOT EXCEED INTERFACE DEPTH. MAY CAUSE DAMAGE.**
  4. Standard connector (not shown) has 17mm diameter and is 67.5mm long.
  5. Do not allow items passing through center hole to touch both the Mounting and Tool Adapter Plates or accuracy will be compromised.

NOTES: UNLESS OTHERWISE SPECIFIED.  
DO NOT SCALE DRAWING. ALL DIMENSIONS ARE IN MILLIMETERS.



1031 Goodworth Drive, Apex, NC 27539, USA  
Tel: +1.919.772.0115 Email: info@ati-ia.com  
Fax: +1.919.772.8259 www.ati-ia.com  
ISO 9001 Registered Company

PROPERTY OF ATI INDUSTRIAL AUTOMATION, INC. NOT TO BE REPRODUCED IN ANY MANNER EXCEPT ON ORDER OR WITH PRIOR WRITTEN AUTHORIZATION OF ATI.



DRAWN BY: R. Chambers 2/4/11		TITLE: Mini58 Transducer	
CHECKED BY: P. Fusco 2/7/11		SCALE: 3:2	REVISION: 06
PROJECT # 101119-1	SHEET 1 OF 1	SIZE: B	DRAWING NUMBER: 9230-05-1383