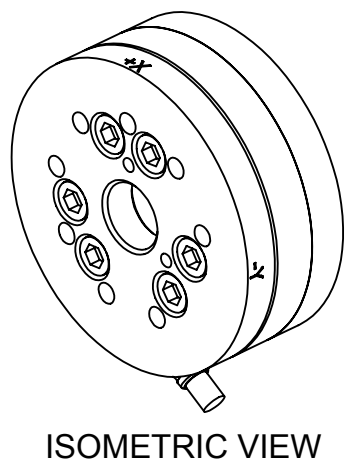
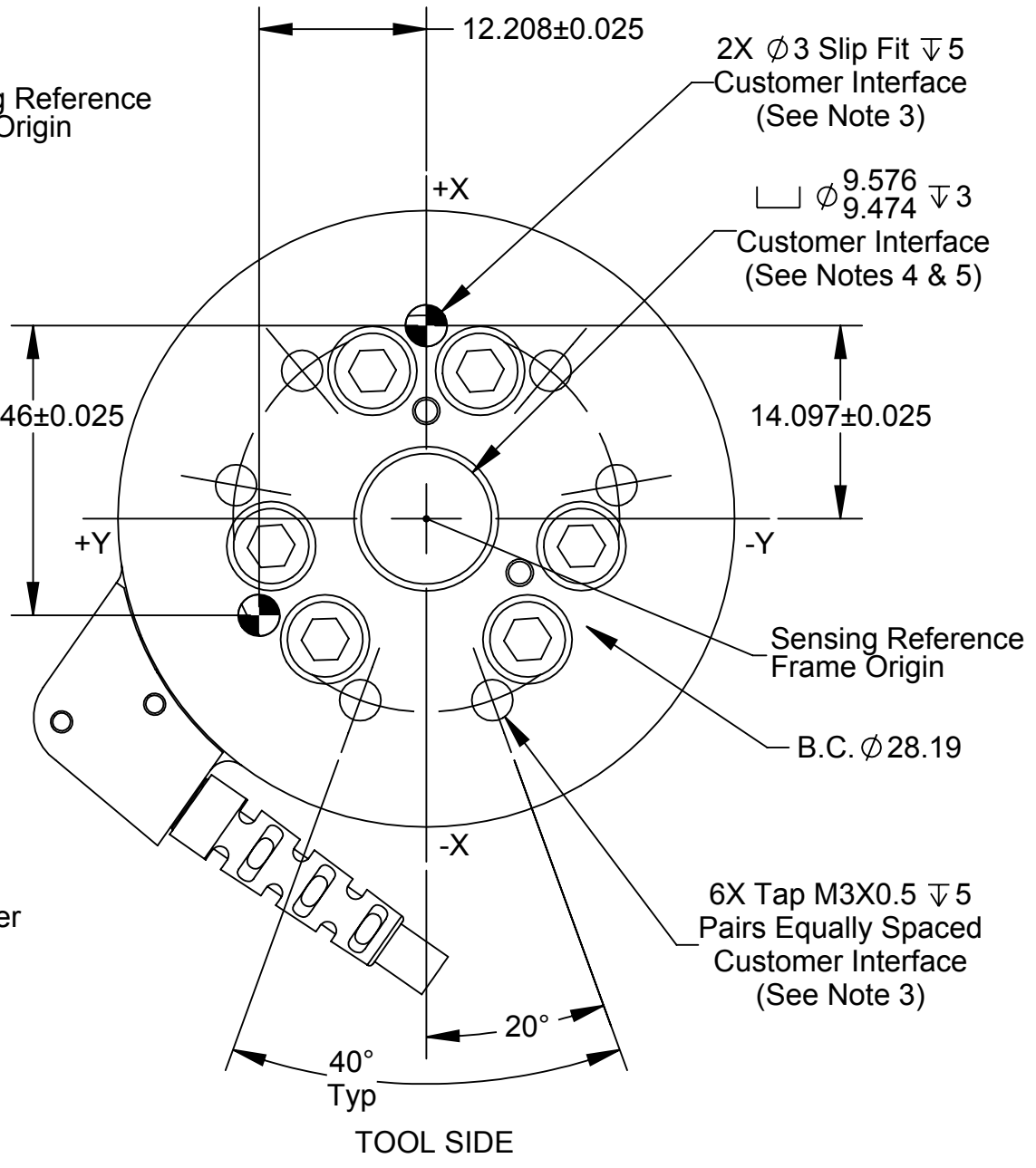
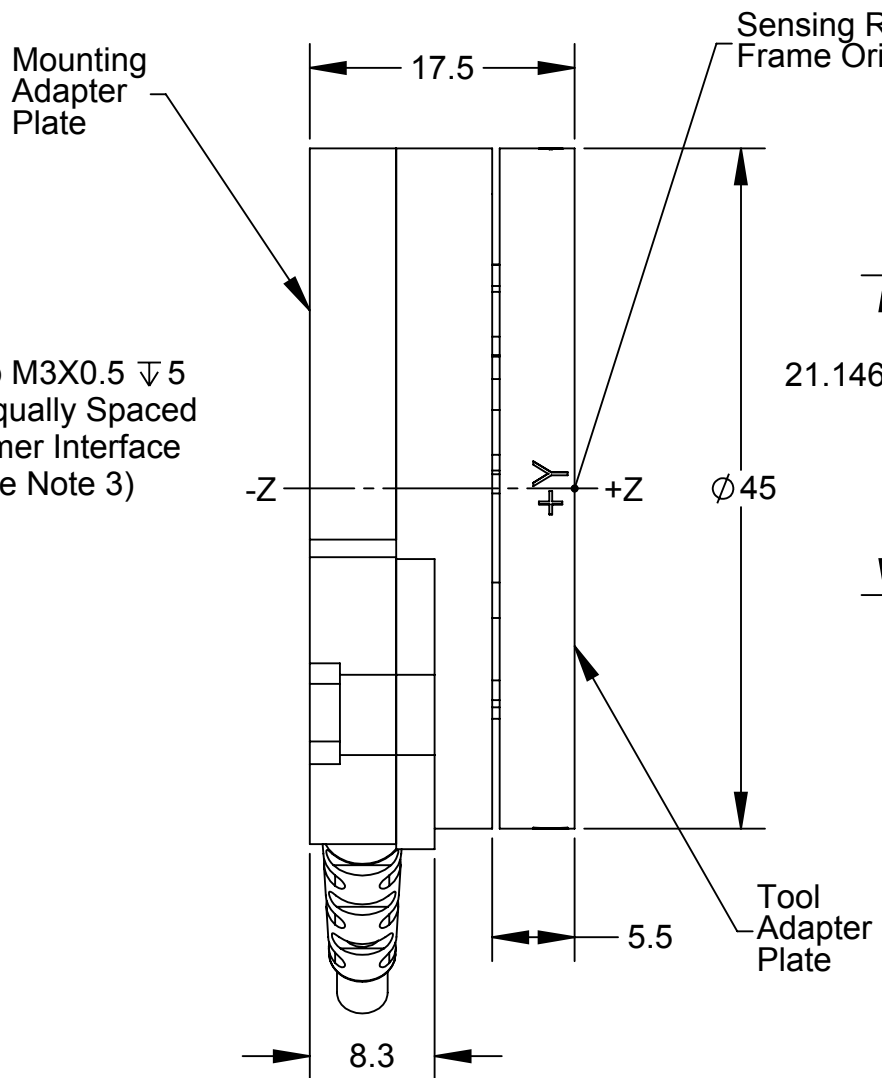
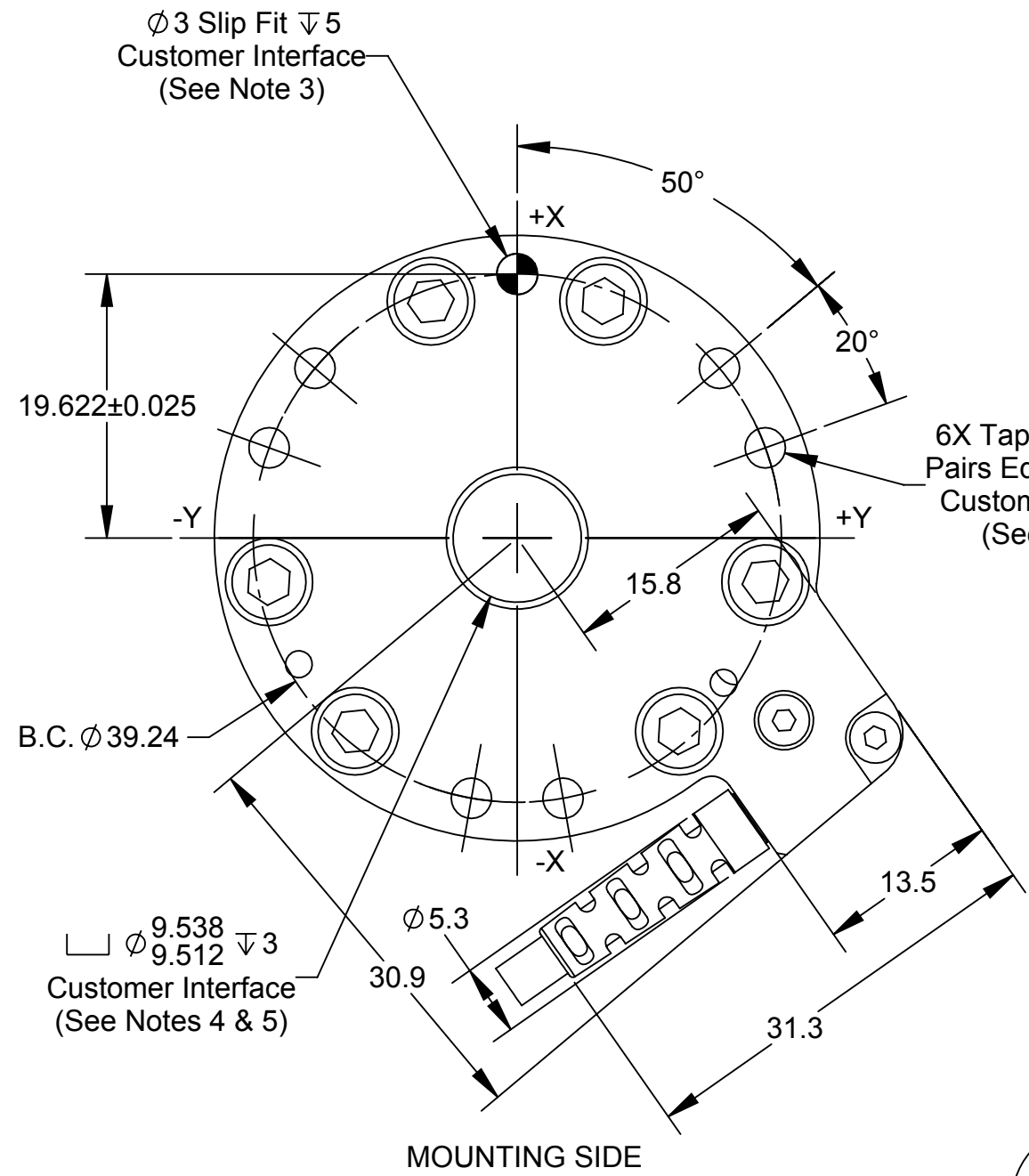


Rev.	Description	Initiator	Date
01	Initial Drawing	RKC	1/4/2013



- Notes:
1. Material: Transducer, Mounting and Tool Adapter made of Titanium Ti-6Al-4V Grade 5
 2. **WARNING: DO NOT LOOSEN OR REMOVE INTERFACE PLATES OR CABLE FITTING DUE TO POTENTIAL DAMAGE.**
 3. **DO NOT EXCEED INTERFACE DEPTH, MAY CAUSE DAMAGE.**
 4. Thru hole is 9.4mm. Specified tolerances are for mating to a boss.
 5. Do not allow items passing through center hole to touch both the Mounting and Tool Adapter Plates or accuracy will be compromised.
 6. Standard connector (not shown) has 17mm diameter and is 67.5mm long.

NOTES: UNLESS OTHERWISE SPECIFIED.
DO NOT SCALE DRAWING. ALL DIMENSIONS ARE IN MILLIMETERS.



1031 Goodworth Drive, Apex, NC 27539, USA
Tel: +1.919.772.0115 Email: info@ati-ia.com
Fax: +1.919.772.8259 www.ati-ia.com
ISO 9001 Registered Company

PROPERTY OF ATI INDUSTRIAL AUTOMATION, INC. NOT TO BE REPRODUCED IN ANY MANNER EXCEPT ON ORDER OR WITH PRIOR WRITTEN AUTHORIZATION OF ATI.

DRAWN BY: R. Chambers 1/15/13		TITLE	
CHECKED BY: L. Fisher 1/31/13		Mini45 Titanium Right Angle E-Exit Transducer	
PROJECT # 121116-1	SHEET 1 OF 1	SCALE 2:1	SIZE B
		DRAWING NUMBER 9230-05-1441	REVISION 01