

Shear Beam Load Cell SB-1.0

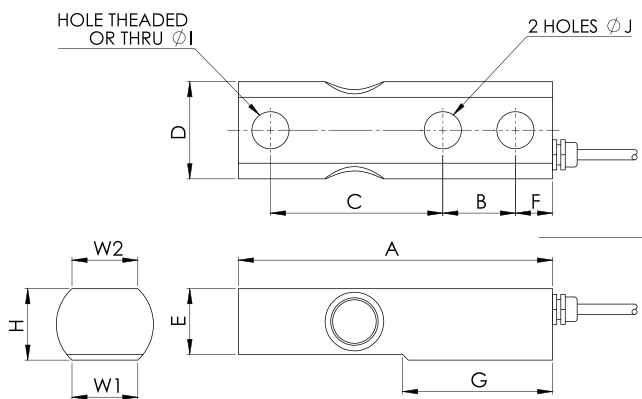
The Shear Beam Load Cell SB-1.0 is a single point weighing device, suitable for use in multiple applications.



Features:

- Welded covers
- Stainless steel body
- Sealed to IP68
- Integral mounting base
- High accuracy
- ATEX certification available

Dimensional Data



Applications:

- Industrial automation
- Bulk tank weighing
- Manufacturing plants
- Saddleback monitors

Load Capacity (Kg)	Part Number	A	B	C	D	E	F	G	H	ØJ	W1	W1	ØI
250	0001 - 1092	135	25.4	76.2	38.1	26	16	58.5	28	13	22	27	M12x1.75
500	0001 - 1093	135	25.4	76.2	38.1	26	16	58.5	28	13	22	27	M12x1.75
1000	0001 - 1094	135	25.4	76.2	38.1	26	16	58.5	28	13	22	27	M12x1.75
2000	0001 - 1095	135	25.4	76.2	38.1	26	16	58.5	28	13	22	27	M16x2.0
5000	0001 - 1096	170	38.1	95.3	50.8	36	20	76	39	21	28.5	36	Ø21
10000	0001 - 1097	220	50.8	120.7	68	46	26	105	52	26	35.5	50	Ø26

Specification

Link Material:	Stainless steel
Capacities:	250kg, 500kg, 1000kg, 2000kg, 5000kg, 10000kg
Full load output:	2.0mV/V (+/-0.25%)
Zero load output:	<+/-2.0%
Excitation (max):	10V (15V)
Accuracy:	<0.03%
Repeatability:	<0.01%
Input Resistance:	410Ω (+/-30)
Output Resistance:	350Ω (+/-2)
Compensated temp. range:	-10 to +40°C
Operating temp. range:	-20 to +60°C
Temp. coefficient on zero:	<0.0015 % Capacity/°C
Temp. coefficient on span:	<0.002 % Capacity/°C
Safe overload:	150%
Insulation:	>500MΩ @100Vdc
Environmental Protection:	IP68

