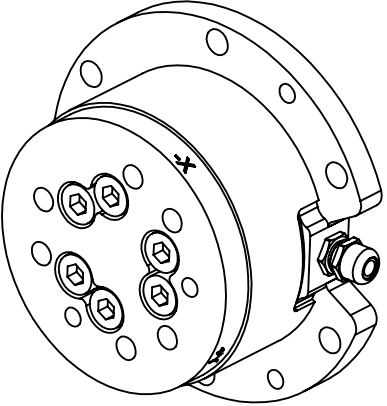
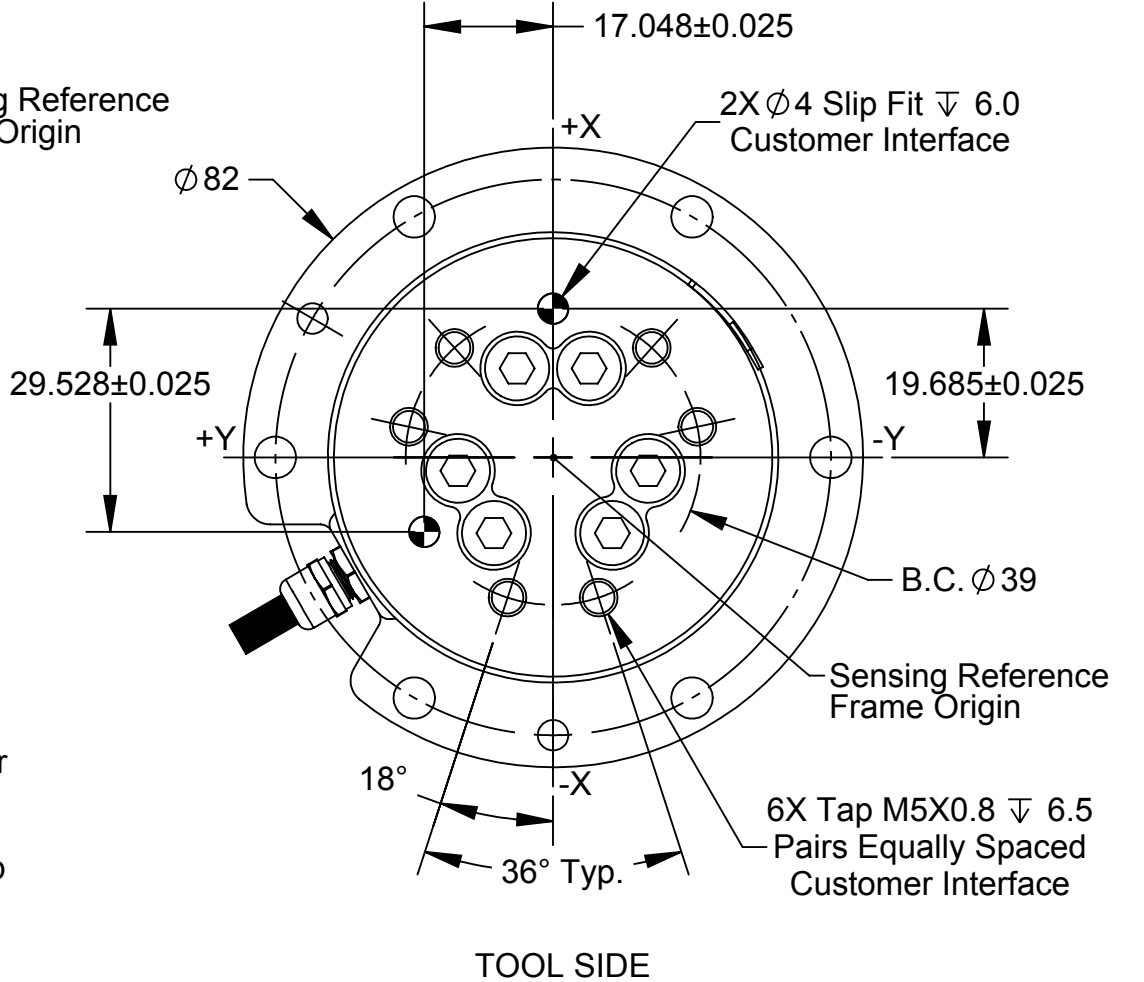
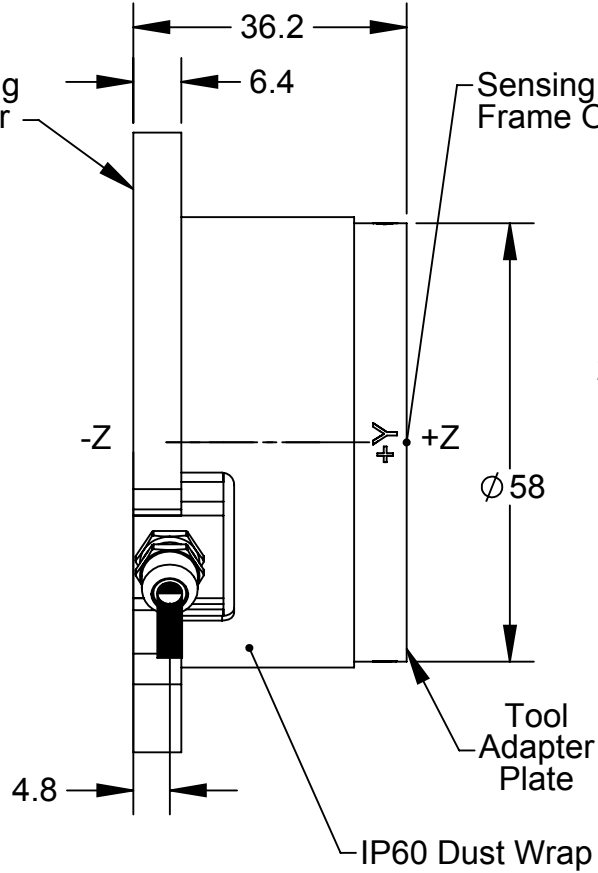
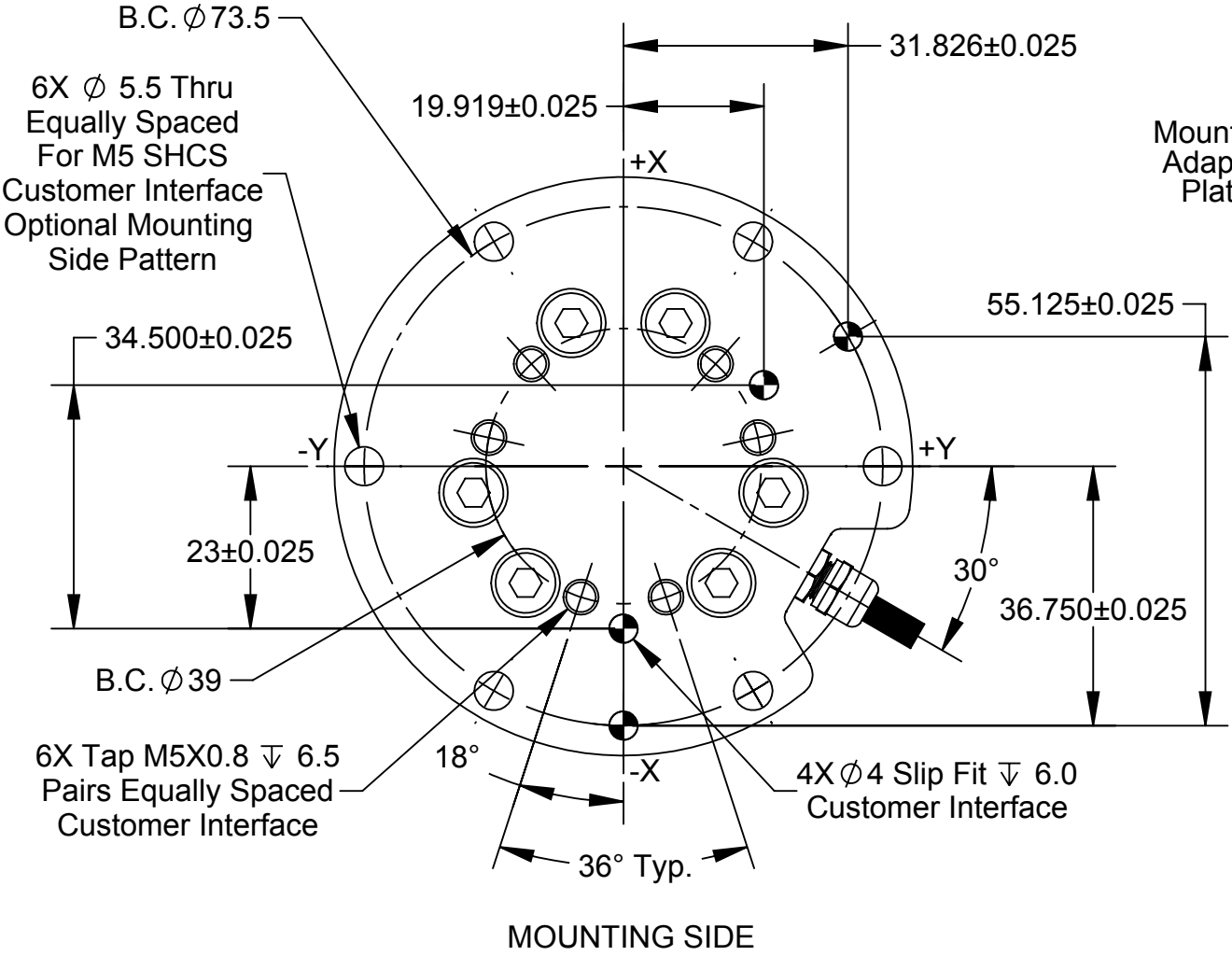


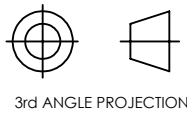
Rev.	Description	Initiator	Date
03	Modify Mounting Side tap depth to be 6.5mm	JW	12/13/2012



- Notes:
1. Material: Mounting and Tool Adapter made of Aluminum, Transducer made of hardened Stainless Steel.
 2. **WARNING: DO NOT LOOSEN OR REMOVE INTERFACE PLATES OR CABLE FITTING DUE TO POTENTIAL DAMAGE.**
 3. Standard connector (not shown) has 17mm diameter and is 67.5mm long.

NOTES: UNLESS OTHERWISE SPECIFIED.

DO NOT SCALE DRAWING. ALL DIMENSIONS ARE IN MILLIMETERS.



1031 Goodworth Drive, Apex, NC 27539, USA
 Tel: +1.919.772.0115 Email: info@ati-ia.com
 Fax: +1.919.772.8259 www.ati-ia.com
 ISO 9001 Registered Company

PROPERTY OF ATI INDUSTRIAL AUTOMATION, INC. NOT TO BE REPRODUCED IN ANY MANNER EXCEPT ON ORDER OR WITH PRIOR WRITTEN AUTHORIZATION OF ATI.

DRAWN BY: J. Walser 10/15/2012		TITLE	
CHECKED BY: P. Fusco 10/15/2012		Radial Exit Mini58 Transducer, IP60	
PROJECT # 121009-1	SHEET 1 OF 1	SCALE 1:1	REVISION 03
SIZE B	DRAWING NUMBER 9230-05-1437		