

LOADCELL TYPE CMM1-50K to 2T

SPECIFICATIONS

●PERFORMANCE

Rated capacity(R.C.) : 490.3 N(50 kgf),
 980.7 N(100 kgf),
 1.961 kN(200 kgf),
 4.903 kN(500 kgf),
 9.807 kN(1 tf),
 19.61 kN(2 tf)

Safe overload : 150 %R.C.
 Ultimate overload : 200 %R.C.
 Rated output(R.O.) : 2 mV/V±0.005 mV/V
 Non-linearity : 0.15 %R.O.
 Hysteresis : 0.1 %R.O.
 Repeatability : 0.05 %R.O.

●ELECTRICAL

Recommended excitation : 12 V or under
 Maximum excitation : 18 V
 Zero balance : ±0.06 mV/V
 Input terminal resistance : 425 Ω±50 Ω
 Output terminal resistance : 350 Ω±5 Ω
 Insulation resistance : 2000 MΩ or more(DC50 V)

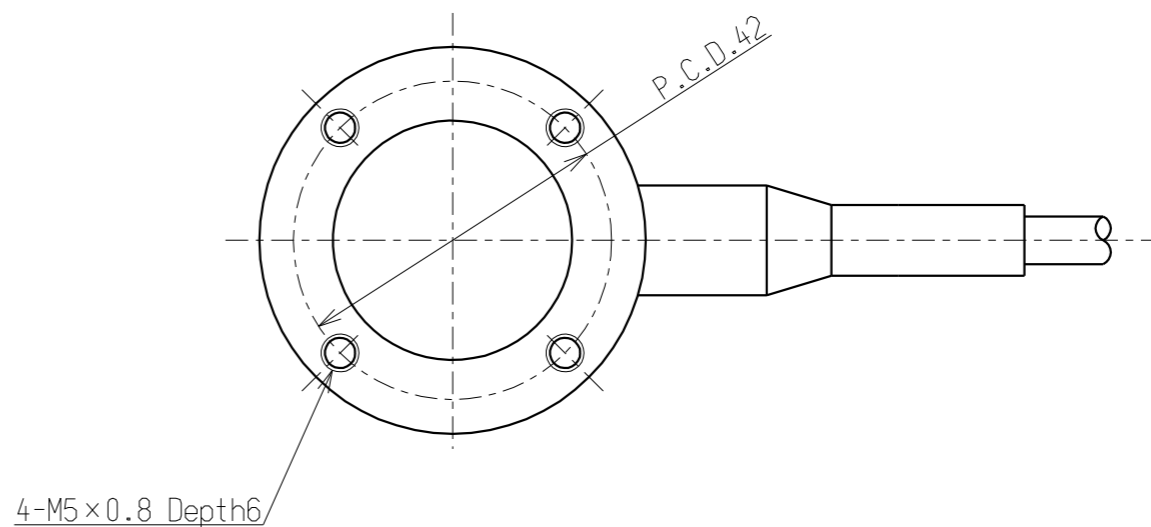
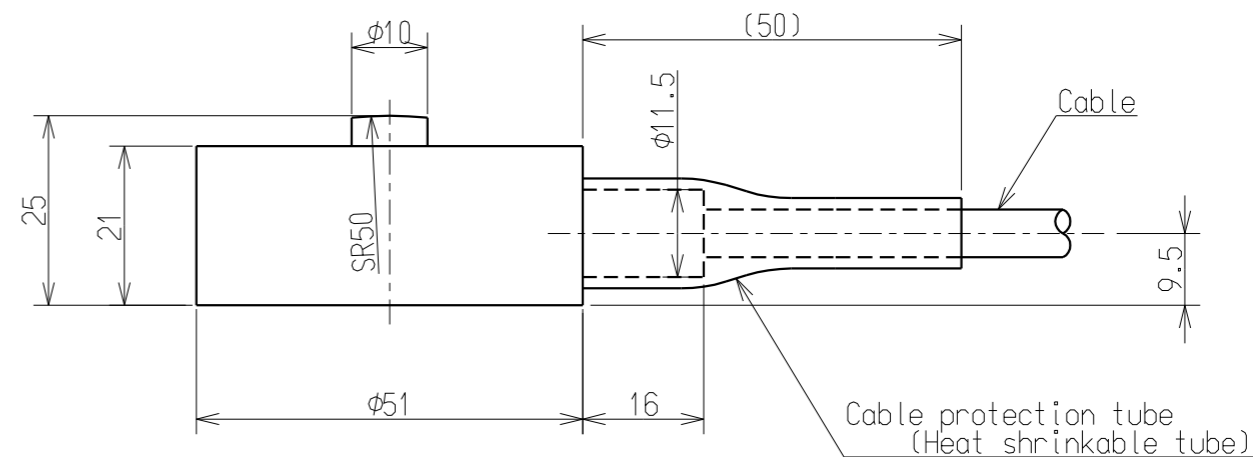
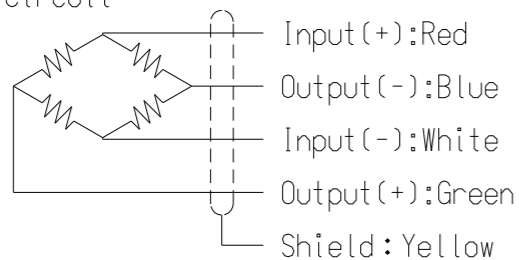
●TEMPERATURE

Compensated temperature range : -10 ℃ to 70 ℃
 Safe temperature range : -20 ℃ to 80 ℃
 Temperature effect : ±0.05 %R.O./10 ℃
 on zero balance
 Temperature effect : ±0.1 %LOAD/10 ℃
 on output

●THE OTHERS

Cable : φ6.3 4core shielded 3m connected Y-terminals
 IP class : IP67
 Weight : Approx. 0.34 kg
 Material : Stainless steel
 Fatigue life : 10⁶ under the R.C.
 RoHS : Compliant

●Circuit



| TYPE | Displacement at rated load (mm)(approx.) | Natural frequency (Hz)(approx.) |
|-----------|--|---------------------------------|
| CMM1-50K | 0.15 | 3600 |
| CMM1-100K | 0.10 | 5000 |
| CMM1-200K | 0.07 | 6000 |
| CMM1-500K | 0.07 | 7000 |
| CMM1-1T | 0.05 | 10000 |
| CMM1-2T | 0.05 | 10000 |

| |
|----|
| 公布 |
| K |
| S |
| T |
| F |

| | | | | | | | | | | |
|---------|---------|-------------|---------|-------------|---|---------|-----------------------------|--|---|---------------------|
| | | | | | ミネベア株式会社 MINEBEA CO.,LTD. 計測機器事業部 | | 単位 UNIT mm 尺度 SCALE free | 材質 MATERIAL 表面粗さ SURF.ROUGH. 熱処理 HEAT TREAT. 表面処理 FINISH | 作成日 DATE 2012/11/26 品名 DESCRIPTION OUTLINE | |
| | | | | | APPROVED | CHECKED | DRAWN | 寸法 L 公差 <L≤4 ±0.1 4<L≤16 ±0.2 16<L≤63 ±0.3 63<L≤250 ±0.5 250<L≤1000 ±0.8 角度 DEG ±0.5 | 品番 PART NO.(MODEL NO.) CMM1-50K to 2T 図番 DRAWING NO. KT53479-2 | 葉番 SHEET 改訂 REV. |
| 符号 MARK | 日付 DATE | 変更事項 REASON | ECN NO. | 担当 ENGINEER | 承認 APPROVED | F. IDE | S. UCHIBORI | Y. Kobayashi | | |